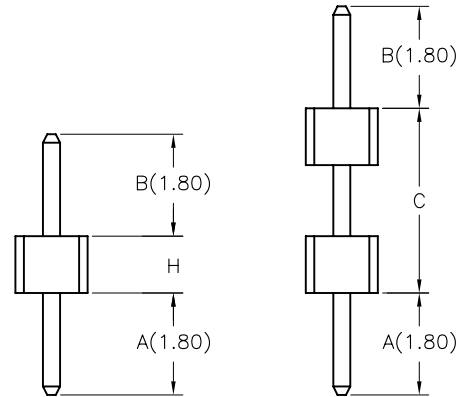
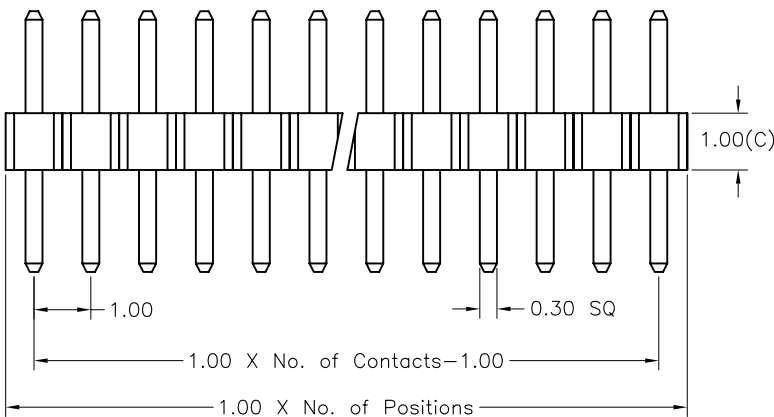
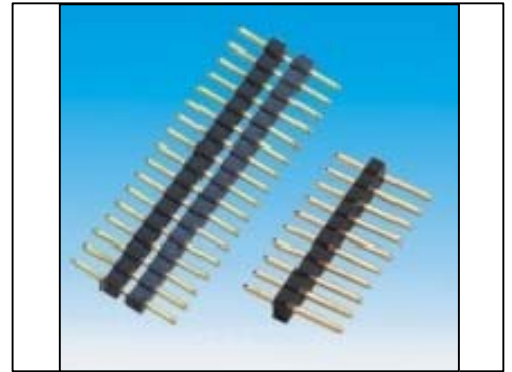


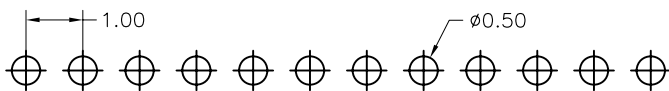
1.00mm(0.039") Pin Header, Single Row, Straight Type H=1.00mm

SPECIFICATIONS

Current Rating : 0.75AMP
 Contact Resistance : 30mΩ Max.
 Insulation Resistance: 1000MΩ Min.
 Withstanding Voltage : 500V AC/minute
 Operation Temperature: -40° C to +105° C
 Contact Material : Phosphor Bronze
 Contact plating : Gold Flash Plated
 Insulator Material : High Temperature Thermoplastic (UL94V-0)
 Standard: PA6T+30%G.F



PES1101 Series PES1102 Series



Recommended PCB Layout

H	1.0	1.5
---	-----	-----

Pin Length = A+B+1.00(C)

Ordering Information

PES1101 /PES1102	-	XX	XX	A	01	B 1 B	X
Plastics Height 10: 1.0mm 15: 1.5mm	No. of Pins Per Row 02~50	Contact Plating 01: Gold Flash 02: Gold 2μ'' 03: Gold 3μ'' 04: Tin Duplex Plating 06: Gold Flash/Tin(100μ'')	Material Type B: NYLON 6T C: LCP D: NYLON 9T	Options A: BAG B: TRAY C: TUBE D: TAPE REEL			