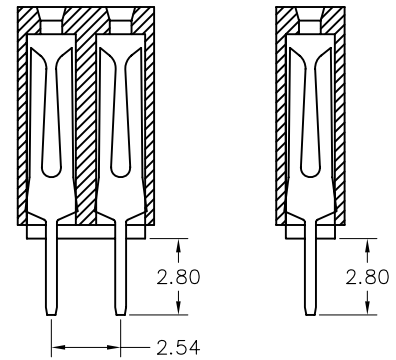
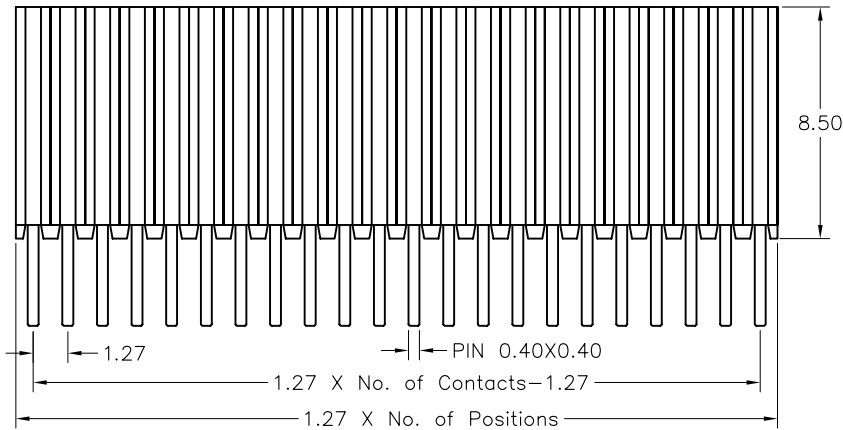
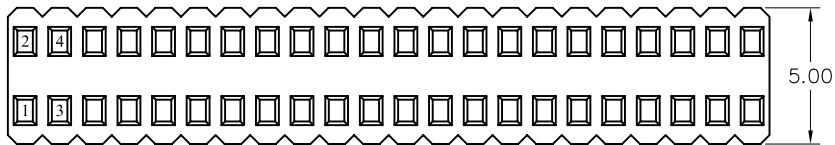
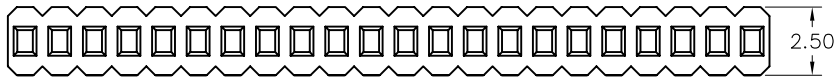
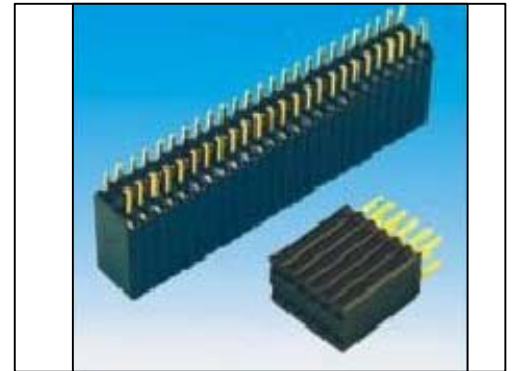


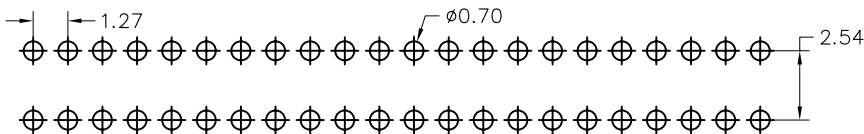
1.27mm (0.050") Female Header, Single/Dual Row, Straight Type H=8.50mm

SPECIFICATIONS

Current Rating : 1AMP
 Contact Resistance : 20mΩ Max.
 Insulation Resistance: 1000MΩ Min.
 Withstanding Voltage : 500V AC/minute
 Operation Temperature: -40° C to +105° C
 Contact Material : Phosphor Bronze
 Contact plating : Gold Flash Plated
 Insulator Material : High Temperature Thermoplastic (UL94V-0)
 Standard: PBT+30%G.F



PDS2851 Series PCS1851 Series



Recommended PCB Layout

Ordering Information

FCS1851 /FDS2851	- XX	XX	A	XX	A 1 A	X
	No. of Pins Per Row 02~50	Contact Plating 01:Gold Flash 02:Gold 2μ'' 03:Gold 3μ'' 04: Tin Duplex Plating 06:Gold Flash/Tin(100μ'')		Serial Number	Material Type A:PBT B:NYLON 6T C:LCP D:NYLON 9T	Options A:BAG B:TRAY C:TUBE D:TAPE REEL