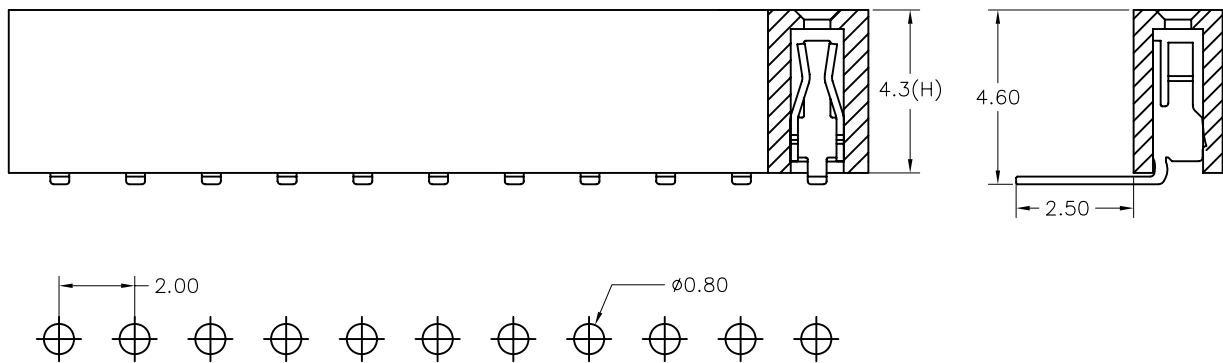
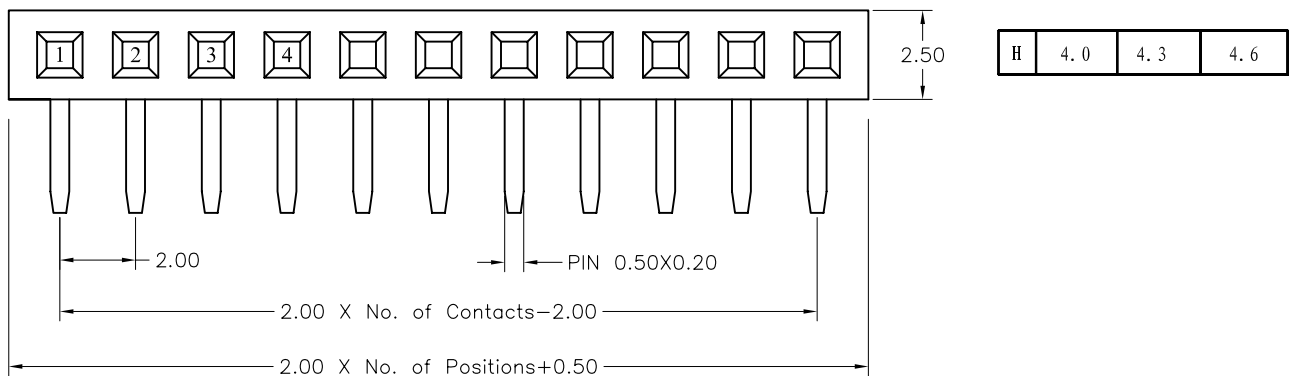


2.00mm (0.079") Female Header, Single Row, Right Angle Type H=4.30mm

## SPECIFICATIONS

Current Rating : 1.5AMP  
 Contact Resistance : 20mΩ Max.  
 Insulation Resistance: 1000MΩ Min.  
 Withstanding Voltage : 500V AC/minute  
 Operation Temperature: -40° C to +105° C  
 Contact Material : Phosphor Bronze  
 Contact plating : Gold Flash Plated  
 Insulator Material : High Temperature Thermoplastic (UL94V-0)  
 Standard: PA46+30%G.F



Recommended PCB Layout

## Ordering Information

FBR1431	-	XX	XX	A	XX	F	1	A	X
Plastics Height 40:4.0mm 43:4.3mm 46:4.6mm	No. of Pins Per Row 02~40	Contact Plating 01:Gold Flash 02:Gold 2μ'' 03:Gold 3μ'' 04: Tin Duplex Plating 06:Gold Flash/Tin(100μ'')	Serial Number	Material Type A:PBT B:NYLON 6T C:LCP D:NYLON 9T E:NYLON 66 F:NYLON 46	Options A:BAG B:TRAY C:TUBE D:TAPE REEL				