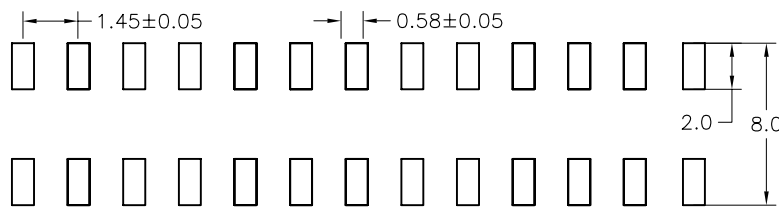
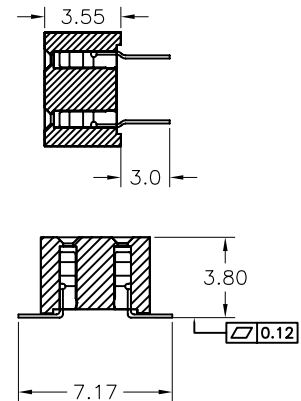
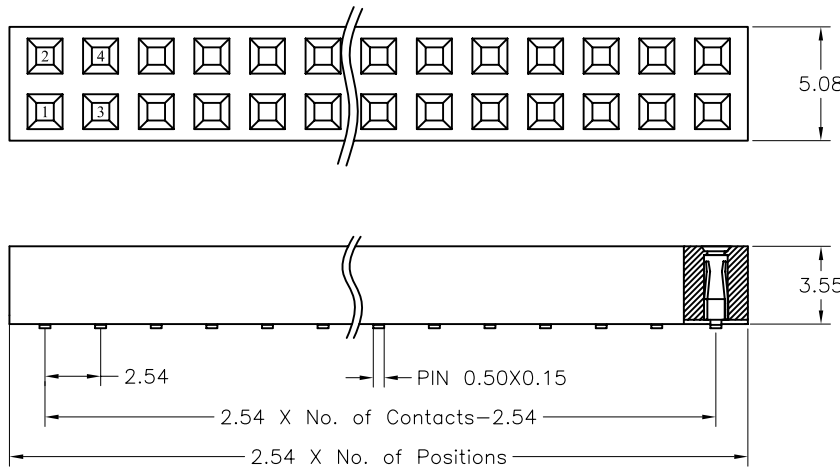


2.54mm(0.100") Female Header, Straight/SMT Type ,H=3.55mm

SPECIFICATIONS

Current Rating : 3AMP
 Contact Resistance : 20mΩ Max.
 Insulation Resistance: 1000MΩ Min.
 Withstanding Voltage : 1000V AC/minute
 Operation Temperature: -40° C to+105° C
 Contact Material : Phosphor Bronze
 Contact plating : Gold Flash Plated
 Insulator Material : High Temperature Thermoplastic (UL94V-0)
 Standard: PA6T+30%G. F



Recommended PCB Layout

Ordering Information

FAS2351 /FAM2351	- XX	XX	A	XX	B 1 A	X
No. of Pins Per Row 01~40	Contact Plating 01:Gold Flash 02:Gold 2μ'' 03:Gold 3μ'' 04: Tin Duplex Plating 06:Gold Flash/Tin(100μ'')	Serial Number	Material Type A:PBT B:NYLON 6T C:LCP D:NYLON 9T ...	Options A:BAG B:TRAY C:TUBE D:TAPE REEL		